

Spare Parts List

TTX40 MkII Universal



TTX NHXX

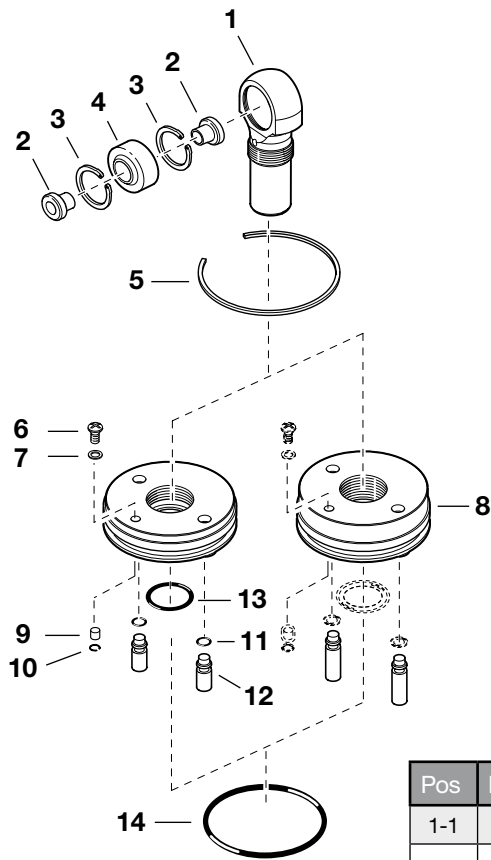


Contents

Top eye and reservoir.....	3
Cylinder head.....	4
Separating plate and tubes.....	5
Piston rod assembly.....	6-8
Spring platforms.....	9
Spring retainers and end eyes.....	10
Valve assembly.....	11
Tools.....	12

© Öhlins Racing AB. All rights reserved. Any reprinting or unauthorized use without the permission of Öhlins Racing AB is prohibited. Printed in Sweden 2007.

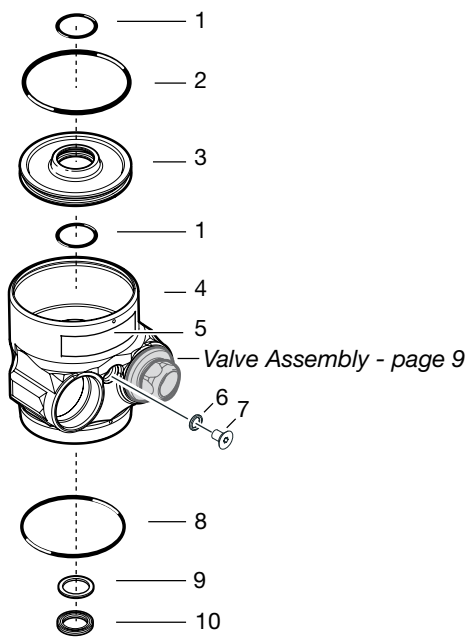
Fig.1



Pos	Part No.	Pcs	Description	Notes	
1-1	06126-01	1	Top eye 53.3	TTX NH01	Turn 90° from stop
	06126-02	1	Top eye 58.3	TTX NH02	Turn 90° from stop
	06126-03	1	Top eye 70.3	TTX NH03	Turn 90° from stop
	06126-04	1	Top eye 82.3	TTX NH04	Turn 90° from stop
	06226-06	1	Top eye 112.3	TTX NH06	Turn 90° from stop
	06226-08	1	Top eye 142.3	TTX NH08	Turn 90° from stop
1-2	06119-xx	-	Spacer	Optional	
1-3	05057-04	2	Circlip		
1-4	05536-05	1	Spherical bearing	Loctite 603	
1-5	00329-11	1	Circlip		
1-6	01050-01	1	Screw	3 Nm (2 lbs.ft.)	
1-7	00586-02	1	Seal washer		
1-8	06121-01	1	Reservoir end cap	TTX NH01, TTX NH02, TTX NH03	
	06121-02	1	Reservoir end cap	TTX NH04, TTX NH06, TTX NH08	
1-9	00604-01	1	Inflation membrane		
1-10	01152-05	1	Circlip		
1-11	00438-90	2	O-ring		
1-12	06105-01	2	Pressure indicator	TTX NH01, TTX NH02, TTX NH03	
	06105-02	2	Pressure indicator	TTX NH04, TTX NH06, TTX NH08	
1-13	00438-91	1	O-ring		
1-14	00579-01	1	O-ring		

CYLINDER HEAD

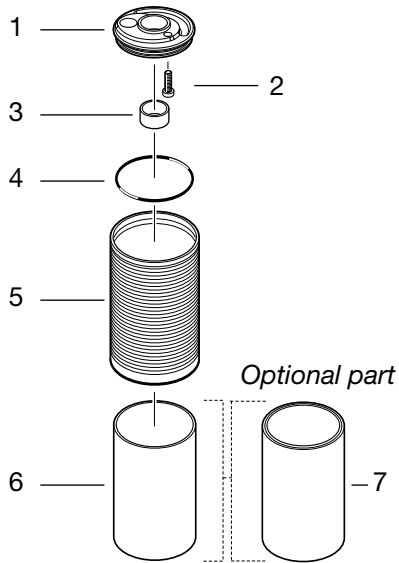
Fig.2



Pos	Part No.	Pcs	Description	Notes
2-1	00438-91	2	O-ring	
2-2	00579-01	1	O-ring	
2-3	06102-01	1	Separating piston	
2-4	06260-01	1	Cylinder head	TTX NH01, TTX NH02, TTX NH03, TTX NH04
	06260-02	1	Cylinder head	TTX NH06, TTX NH08
2-5	00191-13	1	Sticker	
	00827-01	1	X-ring	TTX NH06, TTX NH08
2-6	00438-33	1	O-ring	
2-7	00382-07	1	Screw	3 Nm (2lbs.ft)
2-8	00438-17	1	O-ring	
2-9	01032-05	1	Back-up ring	TTX NH01, TTX NH02, TTX NH03, TTX NH04
	01032-03	1	Back-up ring	TTX NH06, TTX NH08
2-10	01027-05	1	X-ring	TTX NH01, TTX NH02, TTX NH03, TTX NH04
	00827-01	1	X-ring	TTX NH06, TTX NH08

SEPARATING PLATE AND TUBES

Fig.3

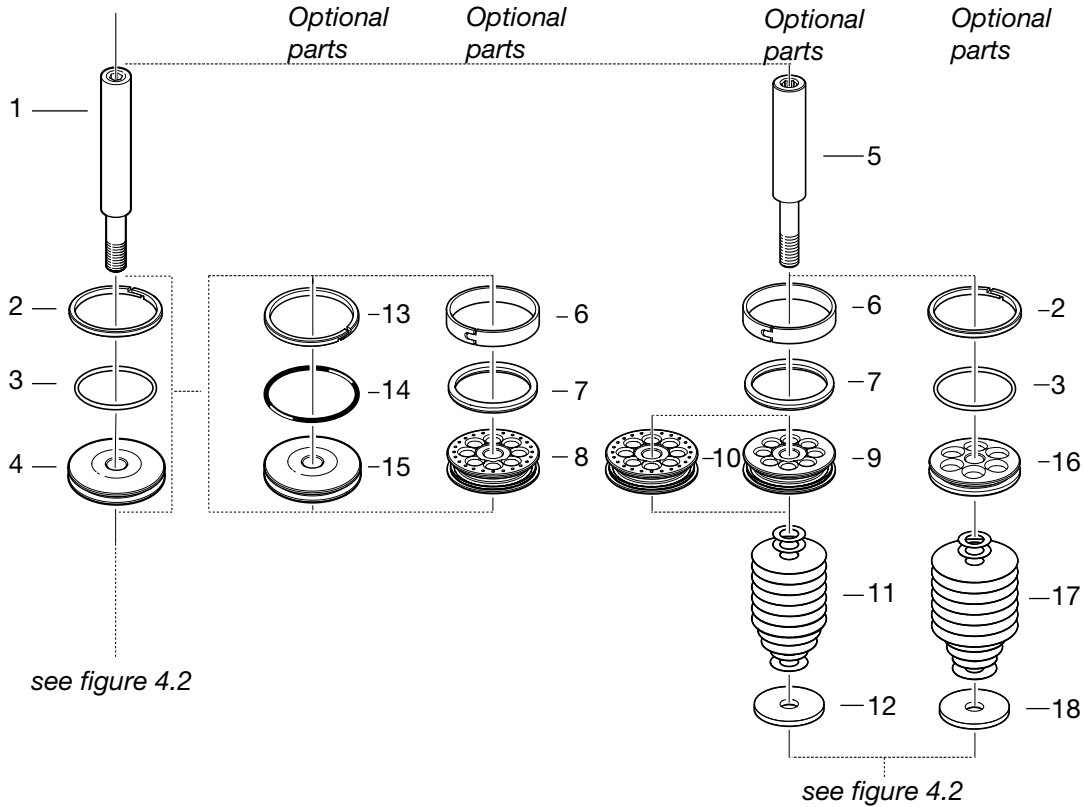


Pos	Part No.	Pcs	Description	Notes
3-1	06261-01	1	Separate plate	TTX NH01, TTX NH02, TTX NH03, TTX NH04
	06261-02	1	Separate plate	TTX NH06, TTX NH08
3-2	01046-43	1	Screw	Locktite 222, 3 Nm (2 lbs.ft.)
3-3	00110-05	1	Bushing	TTX NH01, TTX NH02, TTX NH03, TTX NH04
	01056-17	1	Bushing	TTX NH06, TTX NH08
3-4	00438-18	1	O-ring	
3-5	06109-01	1	Outer tube 76.7 mm ³	TTX NH01
	06109-02	1	Outer tube 84.7 mm ³	TTX NH02
	06109-03	1	Outer tube 96.7 mm ³	TTX NH03
	06109-04	1	Outer tube 108.7 mm ³	TTX NH04
	06109-06	1	Outer tube 136.7 mm ³	TTX NH06
	06109-08	1	Outer tube 168.7 mm ³	TTX NH08
3-6	06290-01	1	Inner tube 60.2 mm	TTX NH01
	06290-02	1	Inner tube 68.2 mm	TTX NH02
	06290-03	1	Inner tube 80.2 mm	TTX NH03
	06290-04	1	Inner tube 92.2 mm	TTX NH04
	06290-06	1	Inner tube 122.2 mm	TTX NH06
	06290-08	1	Inner tube 152.2 mm	TTX NH08
3-7	06291-01	1	Inner tube 36/42.6/60.2	Optional 36 mm tube
	06291-02	1	Inner tube 36/42.6/68.2	Optional 36 mm tube
	06291-03	1	Inner tube 36/42.6/80.2	Optional 36 mm tube
	06291-04	1	Inner tube 36/42.6/92.2	Optional 36 mm tube
	06291-06	1	Inner tube 36/42.6/122.2	Optional 36 mm tube
	06291-08	1	Inner tube 36/42.6/152.2	Optional 36 mm tube

³ Locktite 243, 90 Nm (66 lbs.ft.)

PISTON ROD ASSEMBLY

Fig.4.1



Pos	Part No.	Pcs	Description	Notes
4-1-1	06112-01	1	Piston rod, internal 12/89.8 ¹	TTX NH01
	06112-02	1	Piston rod, internal 12/97.8 ¹	TTX NH02
	06112-03	1	Piston rod, internal 12/109.8 ¹	TTX NH03
	06112-04	1	Piston rod, internal 12/121.8 ¹	TTX NH04
	06232-06	1	Piston rod, internal 12/151.8 ¹	TTX NH06
	06232-08	1	Piston rod, internal 12/181.8 ¹	TTX NH08
4-1-2	06118-01	1	Piston seal	
4-1-3	00438-24	1	O-ring	
4-1-4	06113-01	1	Piston	
4-1-5	06135-01	-	Piston rod, internal 12/89.8	Optional
	06135-02	-	Piston rod, internal 12/97.8	Optional
	06135-03	-	Piston rod, internal 12/109.8	Optional
	06135-04	-	Piston rod, internal 12/121.8	Optional
	06135-05	-	Piston rod, internal 12/151.8	Optional
	06135-06	-	Piston rod, internal 12/181.8	Optional
	06268-06	-	Piston rod, internal 14/151.8	Optional
	06268-08	-	Piston rod, internal 14/151.8	Optional
4-1-6	05955-01	-	Piston ring 40	Optional
4-1-7	00338-09	-	O-ring	Optional
4-1-8	06234-01	-	Piston, 40, HF	Optional
4-1-9	06234-10	-	Piston 40, Blow-off	Optional
4-1-10	06234-11	-	Piston 40, HF + Blow-off	Optional
4-1-11	00184-14	-	Shims 8/14/0.10	Optional
	00184-16	-	Shims 8/16/0.10	Optional
	00184-17	-	Shims 8/17/0.10	Optional
	00184-18	-	Shims 8/18/0.10	Optional
	00184-24	-	Shims 8/24/0.10	Optional
	00184-32	-	Shims 8/32/0.10	Optional

¹ Loctite 243 22 Nm (16 lbs.ft.)

Pos	Part No.	Pcs	Description	Notes
4-1-11	00185-14	-	Shims 8/14/0.15	Optional
	00185-16	-	Shims 8/16/0.15	Optional
	00185-17	-	Shims 8/17/0.15	Optional
	00185-18	-	Shims 8/18/0.15	Optional
	00185-24	-	Shims 8/24/0.15	Optional
	00185-27	-	Shims 8/27/0.15	Optional
	00185-32	-	Shims 8/32/0.15	Optional
	00186-14	-	Shims 8/14/0.20	Optional
	00186-16	-	Shims 8/16/0.20	Optional
	00186-17	-	Shims 8/17/0.20	Optional
	00186-18	-	Shims 8/18/0.20	Optional
	00186-24	-	Shims 8/24/0.20	Optional
	00186-27	-	Shims 8/27/0.20	Optional
	00186-32	-	Shims 8/32/0.20	Optional
	00187-14	-	Shims 8/14/0.25	Optional
	00187-16	-	Shims 8/16/0.25	Optional
	00187-17	-	Shims 8/17/0.25	Optional
	00187-18	-	Shims 8/18/0.25	Optional
	00187-24	-	Shims 8/24/0.25	Optional
	00187-27	-	Shims 8/27/0.25	Optional
	00187-32	-	Shims 8/32/0.25	Optional
	00188-14	-	Shims 8/14/0.30	Optional
	00188-16	-	Shims 8/16/0.30	Optional
	00188-17	-	Shims 8/17/0.30	Optional
	00188-18	-	Shims 8/18/0.30	Optional
	00188-24	-	Shims 8/24/0.30	Optional
	00188-27	-	Shims 8/27/0.30	Optional
	00188-32	-	Shims 8/32/0.30	Optional

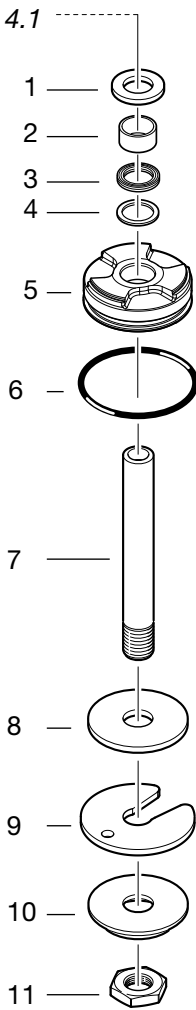
PISTON ROD ASSEMBLY

Pos	Part No.	Pcs	Description	Notes
4-1-12	06129-02	-	Clamp washer 30	Optional
4-1-13	06118-02	-	Piston seal 36	Optional 36 mm inner tube
4-1-14	00576-07	-	O-ring	Optional 36 mm inner tube
4-1-15	06113-01	-	Piston 36	Optional 36 mm inner tube
4-1-16	06128-01	-	Piston 40, Blow-off	Optional
4-1-17	00184-14	-	Shims 8/14/0.10	Optional
	00184-19	-	Shims 8/19/0.10	Optional
	00184-24	-	Shims 8/24/0.10	Optional
	00184-27	-	Shims 8/27/0.10	Optional
	00184-37	-	Shims 8/37/0.10	Optional
	00185-14	-	Shims 8/14/0.15	Optional
	00185-19	-	Shims 8/19/0.15	Optional
	00185-24	1	Shims 8/24/0.15	Optional
	00185-27	-	Shims 8/27/0.15	Optional
	00185-37	-	Shims 8/37/0.15	Optional
	00186-14	-	Shims 8/14/0.20	Optional
	00186-19	-	Shims 8/19/0.20	Optional
	00186-24	-	Shims 8/24/0.20	Optional
	00186-27	-	Shims 8/27/0.20	Optional
	00186-37	-	Shims 8/37/0.20	Optional
	00187-14	-	Shims 8/14/0.25	Optional
	00187-19	-	Shims 8/19/0.25	Optional
	00187-24	-	Shims 8/24/0.25	Optional
	00187-27	-	Shims 8/27/0.25	Optional
	00187-37	-	Shims 8/37/0.25	Optional
	00188-14	-	Shims 8/14/0.30	Optional
	00188-19	-	Shims 8/19/0.30	Optional
	00188-24	-	Shims 8/24/0.30	Optional
	00188-27	-	Shims 8/27/0.30	Optional
	00188-37	-	Shims 8/37/0.30	Optional
4-1-18	06129-01	-	Clamp washer 35	Optional

PISTON ROD ASSEMBLY

Fig.4.2

see figure 4.1

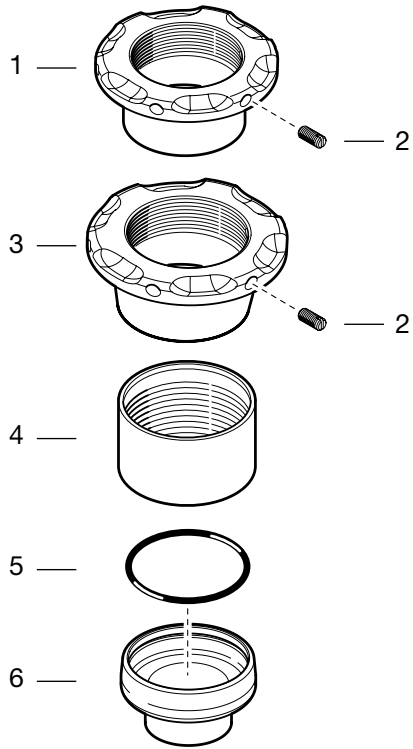


Pos	Part No.	Pcs	Description	Notes
4-2-1	06132-01		Spacer 1 mm, diam. 12 mm	
	06132-02		Spacer 2 mm, diam. 12 mm	
	06132-05		Spacer 5 mm, diam. 12 mm	
	06132-10		Spacer 10 mm, diam. 12 mm	
	06242-02		Spacer 2 mm, diam. 14 mm	
	06242-05		Spacer 5 mm, diam. 14 mm	
4-2-2	06242-10		Spacer 10 mm, diam. 14 mm	
	00110-05	1	Bushing	TTX NH01, TTX NH02, TTX NH03, TTX NH04
	01056-17	1	Bushing	TTX NH06, TTX NH08
4-2-3	01027-05	1	X-ring	TTX NH01, TTX NH02, TTX NH03, TTX NH04
	00827-01	1	X-ring	TTX NH06, TTX NH08
4-2-4	01032-05	1	Back-up ring	TTX NH01, TTX NH02, TTX NH03, TTX NH04
	01032-03	1	Back-up ring	TTX NH06, TTX NH08
4-2-5	06114-01	1	Cylinder cap ⁵	TTX NH01, TTX NH02, TTX NH03, TTX NH04
	06251-01	1	Cylinder cap ⁵	TTX NH06, TTX NH08
4-2-6	00338-02	1	O-ring	
4-2-7	06127-01	1	Piston shaft, external 80.4 mm	TTX NH01
	06127-12	1	Piston shaft, external 103.4 mm	TTX NH02
	06127-03	1	Piston shaft, external 100.4 mm	TTX NH03
	06127-14	1	Piston shaft, external 133.4 mm	TTX NH04
	06250-06	1	Piston shaft, external 142.4 mm	TTX NH06
	06250-08	1	Piston shaft, external 172.4 mm	TTX NH08
4-2-8	06130-01		Spacer 1 mm, diam. 12 mm	TTX NH04 (1x)
	06130-02		Spacer 2 mm, diam. 12 mm	
	06130-05		Spacer 5 mm, diam. 12 mm	TTX NH02 (1x)
	06130-10		Spacer 10 mm, diam. 12 mm	TTX NH02 (1x), TTX NH04 (2x)
	06233-01		Spacer 1 mm, diam. 14 mm	
	06233-02		Spacer 2 mm, diam. 14 mm	
4-2-9	06233-05		Spacer 5 mm, diam. 14 mm	
	06233-10		Spacer 10 mm, diam. 14 mm	
	06131-02		Packer 2 mm, diam. 12 mm	
	06131-03		Packer 3 mm, diam. 12 mm	
4-2-10	06231-02		Packer 2 mm, diam. 14 mm	
	06231-03		Packer 3 mm, diam. 14 mm	
4-2-10	05449-03	1	Support washer	TTX NH01, TTX NH02, TTX NH03, TTX NH04
	05449-06	1	Support washer	TTX NH06, TTX NH08
4-2-11	06117-01	1	Lock nut ²	TTX NH01, TTX NH02, TTX NH03, TTX NH04
	06117-03	1	Lock nut ²	TTX NH06, TTX NH08,

² 25 Nm (18 lbs.ft.)

⁵ 50 Nm (37 lbs.ft.)

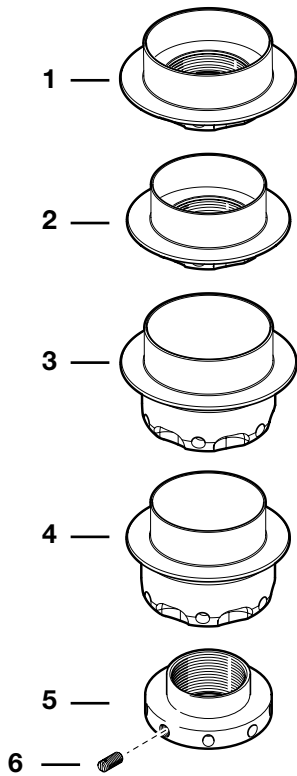
Fig.5



Pos	Part No.	Pcs	Description	Notes
5-1	05964-01	1	Spring platform Ø50.8 mm (2")	
5-2	05410-01	1	Set screw	
5-3	05964-02	1	Spring platform Ø57 mm (2.25")	
5-4	06140-01	1	Sleeve	30 Nm (22 lbs.ft.)
5-5	00438-60	1	O-ring	
5-6	05972-01	1	Spring platform Ø35.2 mm (1.5")	

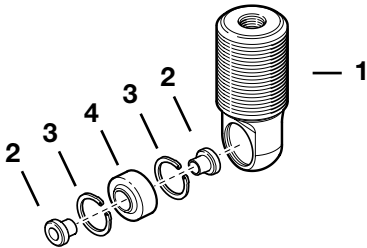
SPRING RETAINERS AND END EYES

Fig.6



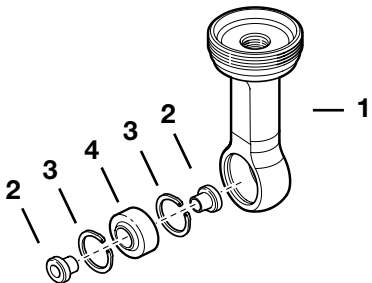
Pos	Part No.	Pcs	Description	Notes
6-1	05411-01	1	Spring retainer Ø57 mm (2.25")	
6-2	05411-02	1	Spring retainer Ø50.8 mm (2")	
6-3	05412-01	1	Spring retainer Ø57 mm (2.25")	
6-4	05965-01	1	Spring retainer Ø50.8 mm (2")	
6-5	05441-01	1	Spring retainer Ø35.2 mm (1.5")	
6-6	05410-01	1	Set screw	

Fig.7



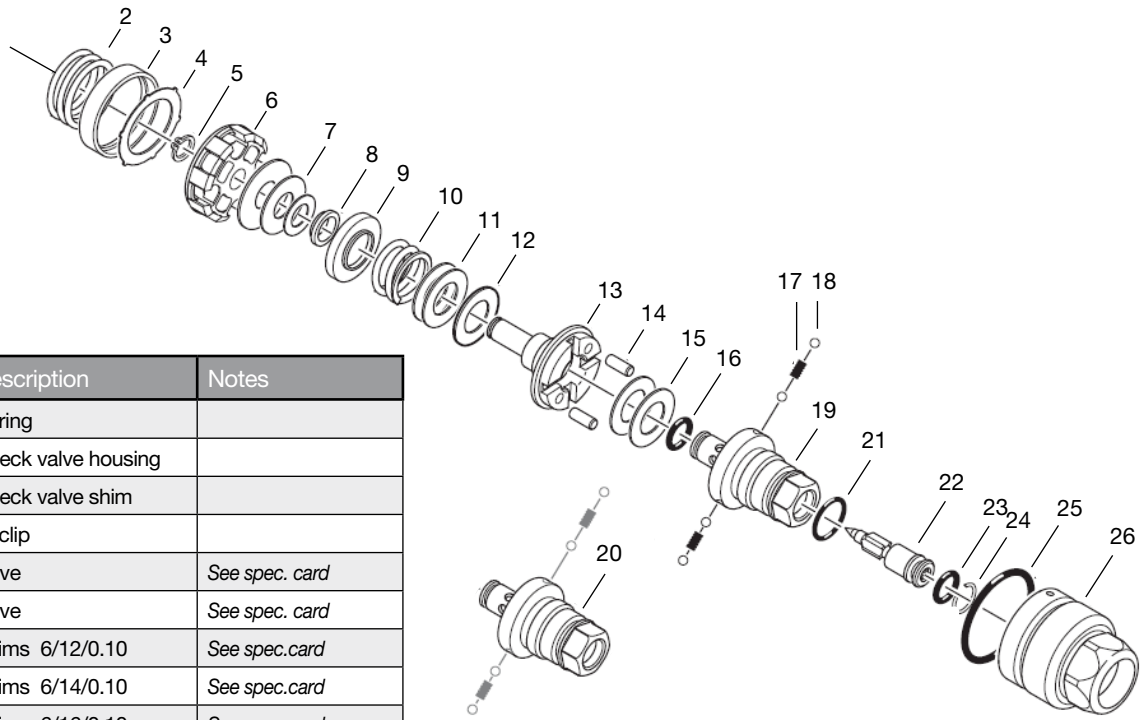
Pos	Part No.	Pcs	Description	Notes
7-1	06133-01	1	End eye 62.4 mm	
7-2	05425-XX	2	Spacer	
	05518-XX	2	Spacer	
7-3	05057-02	2	Circlip	
7-4	05536-01	1	Spherical bearing	Loctite 603

Fig.8



Pos	Part No.	Pcs	Description	Notes
8-1	06136-01	1	End eye 31.4 mm	
	06136-02	1	End eye 40.4 mm	
	06136-03	1	End eye 49.4 mm	
	06136-04	1	End eye 58.4 mm	
	06136-05	1	End eye 67.4 mm	
	06136-06	1	End eye 76.4 mm	
	06136-07	1	End eye 85.4 mm	
8-2	06119-XX	2	Spacer	
8-3	05057-04	2	Circlip	
8-4	05536-05	1	Spherical bearing	Loctite 603

Fig. 9



Pos	Part No.	Pcs	Description	Notes
9-2	21046-15	1	Spring	
9-3	21047-01	1	Check valve housing	
9-4	21045-01	1	Check valve shim	
9-5	05009-06	1	Circlip	
9-6	21044-15	-	Valve	See spec. card
	06267-02	-	Valve	See spec. card
9-7	01410-12	-	Shims 6/12/0.10	See spec. card
	01410-14	-	Shims 6/14/0.10	See spec. card
	01410-16	-	Shims 6/16/0.10	See spec. card
	01410-18	-	Shims 6/18/0.10	See spec. card
	01410-20	-	Shims 6/20/0.10	See spec. card
	01410-22	-	Shims 6/22/0.10	See spec. card
	01415-12	-	Shims 6/12/0.15	See spec. card
	01415-14	-	Shims 6/14/0.15	See spec. card
	01415-16	-	Shims 6/16/0.15	See spec. card
	01415-18	-	Shims 6/18/0.15	See spec. card
	01415-20	-	Shims 6/20/0.15	See spec. card
	01415-22	-	Shims 6/22/0.15	See spec. card
	01420-12	-	Shims 6/12/0.20	See spec. card
	01420-14	-	Shims 6/14/0.20	See spec. card
	01420-16	-	Shims 6/16/0.20	See spec. card
	01420-18	-	Shims 6/18/0.20	See spec. card
	01420-20	-	Shims 6/20/0.20	See spec. card
	01420-22	-	Shims 6/22/0.20	See spec. card
	01425-12	-	Shims 6/12/0.25	See spec. card
	01425-14	-	Shims 6/14/0.25	See spec. card
	01425-16	-	Shims 6/16/0.25	See spec. card
	01425-18	-	Shims 6/18/0.25	See spec. card
	01425-20	-	Shims 6/20/0.25	See spec. card
	01425-22	-	Shims 6/22/0.25	See spec. card
	01430-12	-	Shims 6/12/0.30	See spec. card
	01430-14	-	Shims 6/14/0.30	See spec. card
	01430-16	-	Shims 6/16/0.30	See spec. card
	01430-18	-	Shims 6/18/0.30	See spec. card
	01430-20	-	Shims 6/20/0.30	See spec. card
	01430-22	-	Shims 6/22/0.30	See spec. card
9-8	06265-01	-	Clamp washer 6/8/2.5	See spec. card
	06265-02	-	Clamp washer 6/8/2.5	See spec. card
	06265-03	-	Clamp washer 6/8/2.5	See spec. card
9-9	06252-01	1	Lower preload ring	

Pos	Part No.	Pcs	Description	Notes
9-10	06258-01	1	Spring	
9-11	00610-18	-	Adjustment shims ¹	See spec. card
	01115-18	-	Adjustment shims ¹	See spec. card
	00520-18	-	Adjustment shims ¹	See spec. card
	00525-18	-	Adjustment shims ¹	See spec. card
	00530-18	-	Adjustment shims ¹	See spec. card
9-12	06253-01	1	Upper preload	
9-13	06259-01	1	Valve holder	
9-14	06257-01	2	Pin	
9-15	00186-18	2	Shims	
9-16	00438-52	1	O-ring	
9-17	05945-02	2	Spring	
9-18	00884-02	4	Ball	
9-19	06256-02	1	Needle house	Silver (Rebound)
9-20	06256-01	1	Needle house	Gold (Compression)
9-21	00338-69	1	O-ring	
9-22	05954-03	1	Bleed valve	
9-23	00577-01	1	O-ring	
9-24	01473-01	1	Circlip	
9-25	00438-02	1	O-ring	
9-26	06255-01	1	End piece	10 Nm (7.4 lbs.ft)

1. Calculation of thickness of "adjustment shim": The thickness of all shims in the main stack with outer diameter smaller than 20 mm -0,1 mm.

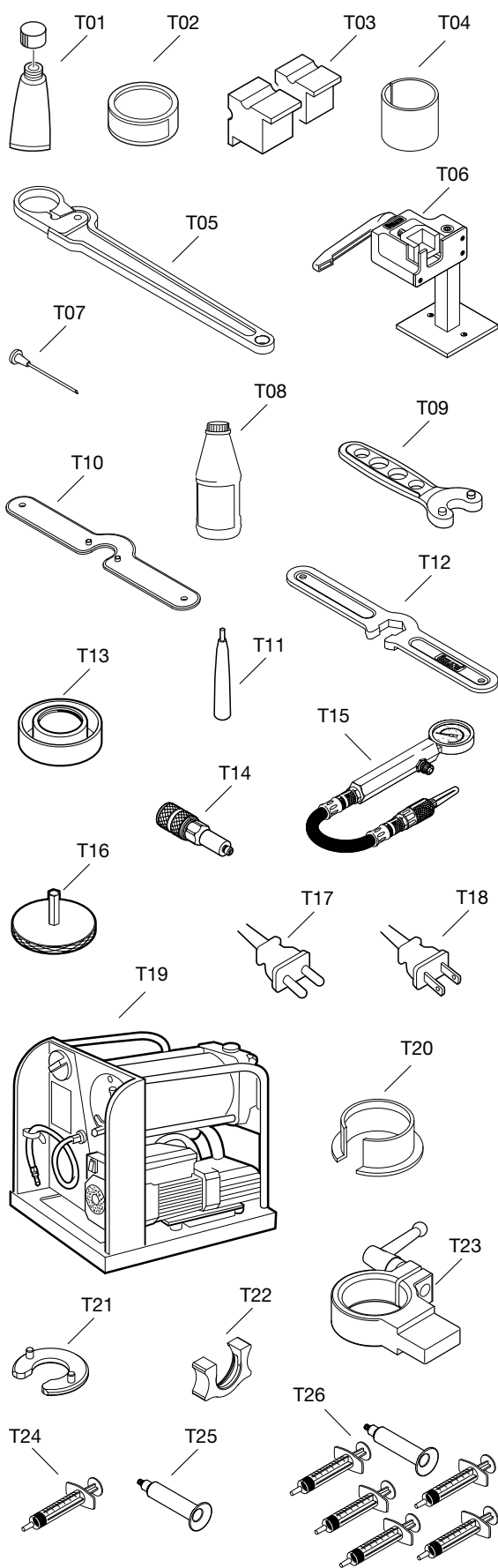
Example Main stack:
 0.30-22
 0.30-20
 0.20-18
 0.20-16
 0.20-14
 0.20-12

"Adjustment shim thickness": $0,20 \times 4 - 0,1 = 0,7$ mm.

Note:

The number of pieces in positions 9-2 up to 9-26 are valid for 1 valve.

TOOLS



Pos	Part No.	Description
T01	00146-01	Red grease 100 g
T02	00147-01	White grease 100 g
T03	00727-02	Jaws for piston shaft
T04	00737-04	Sleeve for 06140-01
	00737-05	Sleeve for outer tube
T05	00738-01	Spanner for cylinder tube
T06	00773-01	Vise
T07	00778-01	Gas needle
T08	01306-01	Shock absorber fluid 309 1 litre
T09	01761-01	Peg spanner for cylinder end cap
T10	01761-03	Peg spanner dia. 41
T11	01762-01	Spring preloader
T12	01772-04	Wrench for end eye lock nut
T13	01776-03	Oil retaining cup
T14	01779-02	Gas needle housing
T15	01781-01	Gas filling device
T16	01822-02	Adjustment tool, hex 3 mm
T17	01825-01	Cord for 230 V European standard
T18	01825-02	Cord for 115 V US standard
T19	01840-01	Vacuum filling machine
T20	01861-01	Mounting sleeve for main piston 40 mm
	01861-06	Mounting sleeve for main piston 36 mm
T21	01876-01	Separating piston pos. tool for 6121-01
	01876-02	Separating piston pos. tool for 6121-02
T22	01877-01	Spacer sep. piston pos. tool 5.4 mm
	01877-02	Spacer sep. piston pos. tool 10.4 mm
	01877-03	Spacer sep. piston pos. tool 22.4 mm
	01877-04	Spacer sep. piston pos. tool 25.4 mm
	01877-26	Spacer sep. piston pos. tool 55.4 mm
	01877-28	Spacer sep. piston pos. tool 85.4 mm
T23	01878-01	Damper holder
T24	01879-01	Syringe piston
T25	01880-01	Syringe casing
T26	01881-01	Syringe kit:
		01879-01 Syringe piston x 5 + 01880-01 Syringe casing

Note: The scale of the tools varies.



ADVANCED SUSPENSION TECHNOLOGY

Öhlins Racing AB, Box 722, S-194 27 Upplands Väsby, Sweden
Phone +46 8 590 025 00, Fax +46 8 590 025 80
www.ohlins.com