

Shock Absorber TTX36 for Automotive

TTXNH31-34


Spare Parts List




Safety Precautions

Note!


The shock absorber is a very important part of the vehicle and will therefore affect the stability.


 Read and make sure that you understand the information in this manual and the mounting instructions before you use this product. If you have any questions regarding installation or maintenance please contact an Öhlins dealer.


 Öhlins Racing AB can not be held responsible for any damage to the shock absorber, vehicle, other property or injury to persons, if the instructions for installing and maintenance are not followed exactly.

Warning!

This product was developed and designed exclusively for a specific vehicle model and should only be installed on the intended vehicle model in its original condition as delivered from the vehicle manufacturer.

 This product contains pressurized nitrogen gas (N₂). Do not open, service or modify this product without proper education (authorized Öhlins dealer/distributor) or proper tools.

 After installing this product, take a test ride at low speed to make sure that your vehicle has maintained its stability.

 If the suspension makes an abnormal noise, or the function is irregular, or if you notice any leakage from the product, please stop the vehicle immediately and return the product to an Öhlins Service Centre.

Note!

When working on this product, always consult your Vehicle Service Manual.

Safety Symbols

In this manual, mounting instructions and other technical documents, important information concerning safety is distinguished by the following symbols:



The Safety Alert Symbol means: Warning! Your safety is involved.



The Warning Symbol means: Failure to follow warning instructions can result in severe or fatal injury to anyone working with, inspecting or using the shock absorber, or to bystanders.



The Caution Symbol means: Special precautions must be taken to avoid damage to the shock absorber.



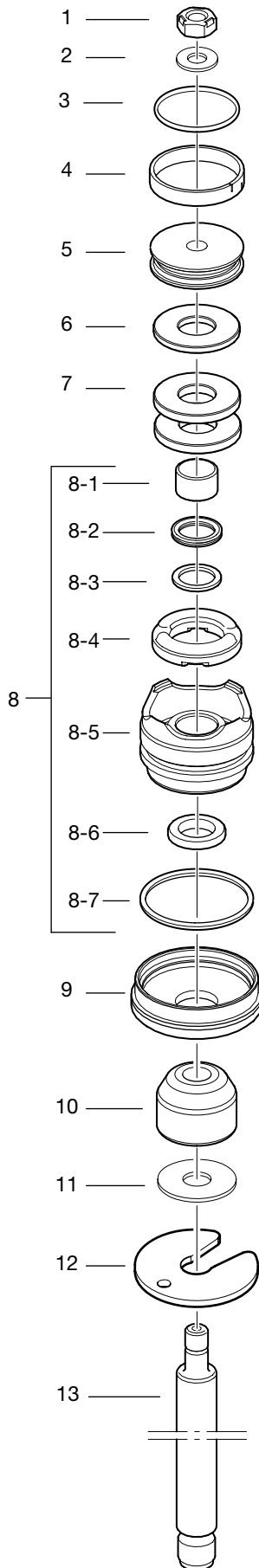
The Note Symbol indicates information that is important regarding procedures.

© Öhlins Racing AB. All rights reserved. Any reprinting or unauthorized use without the written permission of Öhlins Racing AB is prohibited.
Printed in Sweden.

Contents

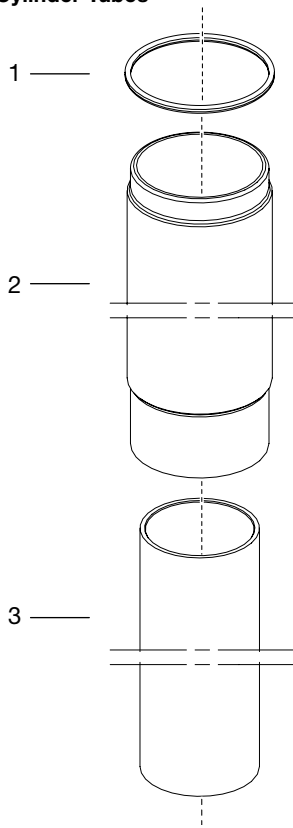
	Page
Fig 1 - Shaft Assembly	3
Fig 2 - Cylinder Tubes	4
Fig 3 - Cylinder Head Assembly	5
Fig 4 - Reservoir Assembly	6
Fig 5 - Compression/Rebound Valve	7
Fig 6 - 7 Optional Parts	8

Figure 1 - Shaft Assembly



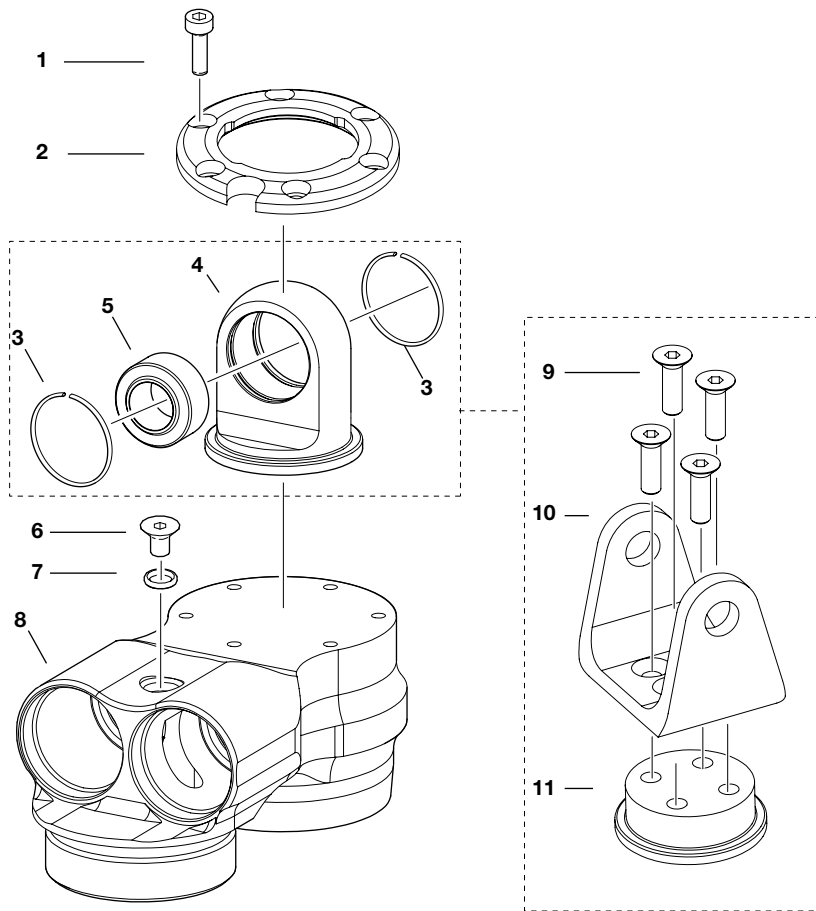
Pos	Part No	Pcs	Description	Notes
1-1	00139-03	1	Lock nut	
1-2	00120-01	1	Washer	
1-3	00438-66	1	O-ring	
1-4	21018-01	1	Piston band	
1-5	21015-02	1	Piston	
1-6	03269-02	1	Spacer	2 mm
1-7	03269-03	2	Spacer	3 mm
1-8	21025-01	1	Seal head assy	
1-8-1	01056-15	1	Bushing	
1-8-2	00827-01	1	X-ring	
1-8-3	01032-03	1	Back-up ring	
1-8-4	21027-01	1	Stop rubber	
1-8-5	21026-01	1	Seal head	
1-8-6	03070-01	1	Scraper	
1-8-7	00338-02	1	O-ring	
1-9	21030-01	1	End cap	
1-10	06375-01	1	Bump rubber	10 mm/ Optional
	06375-02	1	Bump rubber	20 mm/ Optional
	06375-03	1	Bump rubber	30 mm/ Optional
1-11	06233-01	1	Spacer	1 mm/ Optional
	06233-02	1	Spacer	2 mm/ Optional
	06233-05	1	Spacer	5 mm/ Optional
	06233-10	1	Spacer	10 mm/ Optional
1-12	06231-02	1	Packer	2 mm/ Optional
	06231-03	1	Packer	3 mm/ Optional
1-13	21000-02		Shaft	121.5 mm/ TTX NH31
	21000-08		Shaft	151.5 mm/ TTX NH32
	21000-12		Shaft	171.5 mm/ TTX NH33
	21000-18		Shaft	201.5 mm/ TTX NH34
	21000-50		Shaft	96 mm
	21000-22		Shaft	221.5 mm
	21000-13		Shaft	176.5 mm
	21000-11		Shaft	166.5 mm
	21000-10		Shaft	161.5 mm
	21000-09		Shaft	156.5 mm
	21000-07		Shaft	146.5 mm
	21000-06		Shaft	141.5 mm
	21000-05		Shaft	136.5 mm
	21000-04		Shaft	131.5 mm
	21000-03		Shaft	126.5 mm
	21000-01		Shaft	116.5 mm

Figure 2 - Cylinder Tubes



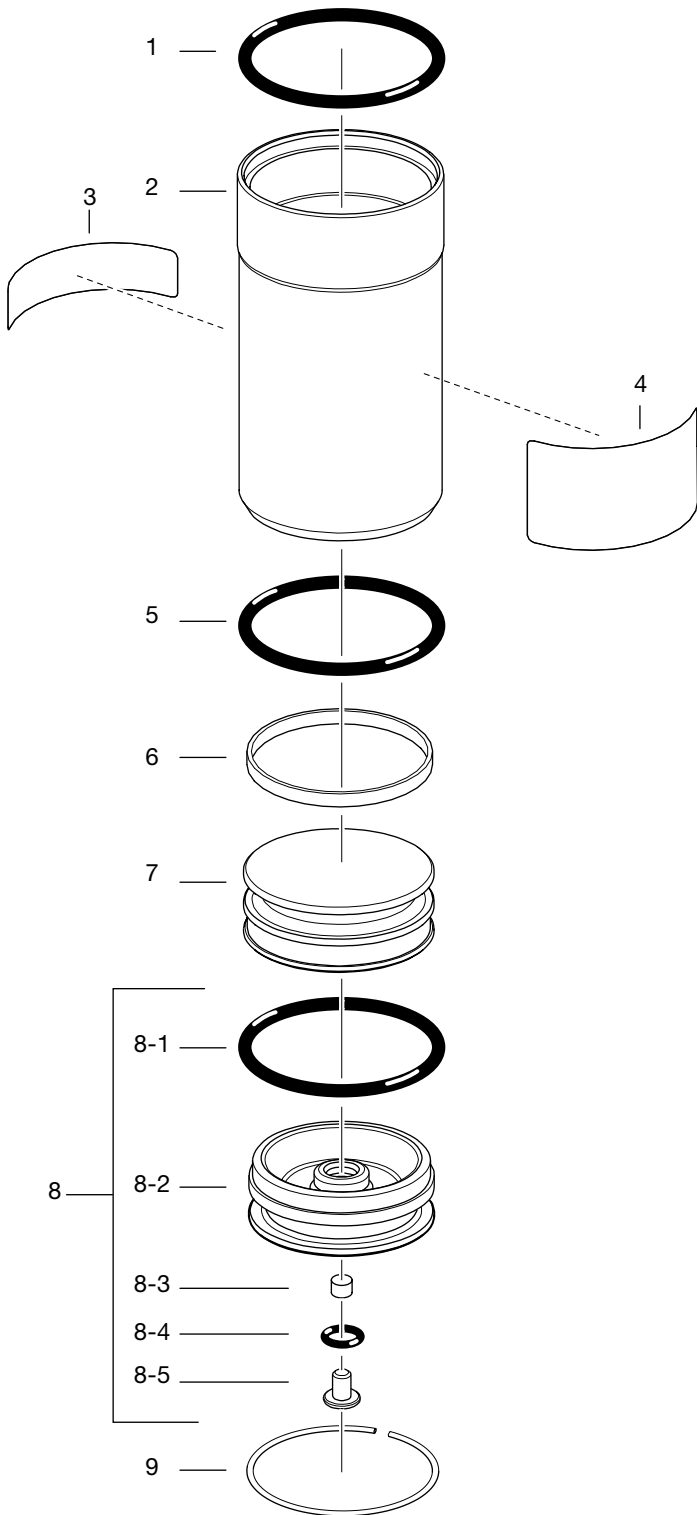
Pos	Part No	Pcs	Description	Notes
2-1	00576-03	1	O-ring	
2-2	21010-05	1	Outer tube	96 mm/ TTX NH31
	21010-11	1	Outer tube	126 mm/ TTX NH32
	21010-15	1	Outer tube	146 mm/ TTX NH33
	21010-21	1	Outer tube	176 mm/ TTX NH34
	21010-25		Outer tube	196 mm
	21010-18		Outer tube	161 mm
	21010-13		Outer tube	136 mm
	21010-12		Outer tube	131 mm
	21010-10		Outer tube	121 mm
	21010-09		Outer tube	116 mm
	21010-08		Outer tube	111 mm
	21010-07		Outer tube	106 mm
	21010-06		Outer tube	101 mm
	21010-04		Outer tube	91 mm
	21010-03		Outer tube	86 mm
	21010-02		Outer tube	81 mm
	21010-01		Outer tube	76 mm
2-3	21005-05	1	Inner tube	81 mm/ TTX NH31
	21005-11	1	Inner tube	111 mm/TTX NH32
	21005-15	1	Inner tube	131 mm/ TTX NH33
	21005-21	1	Inner tube	161 mm/ TTX NH34
	21005-64		Inner tube	178.5 mm
	21005-63		Inner tube	158.5 mm
	21005-62		Inner tube	128.5 mm
	21005-61		Inner tube	108.5 mm
	21005-60		Inner tube	78.5 mm
	21005-18		Inner tube	146 mm
	21005-13		Inner tube	121 mm
	21005-12		Inner tube	116 mm
	21005-10		Inner tube	106 mm
	21005-09		Inner tube	101 mm
	21005-08		Inner tube	96 mm
	21005-07		Inner tube	91 mm
	21005-06		Inner tube	86 mm
21005-04		Inner tube	76 mm	
21005-03		Inner tube	71 mm	
21005-02		Inner tube	66 mm	
21005-01		Inner tube	61 mm	
21005-50		Inner tube	46 mm	

Figure 3 - Cylinder Head Assy



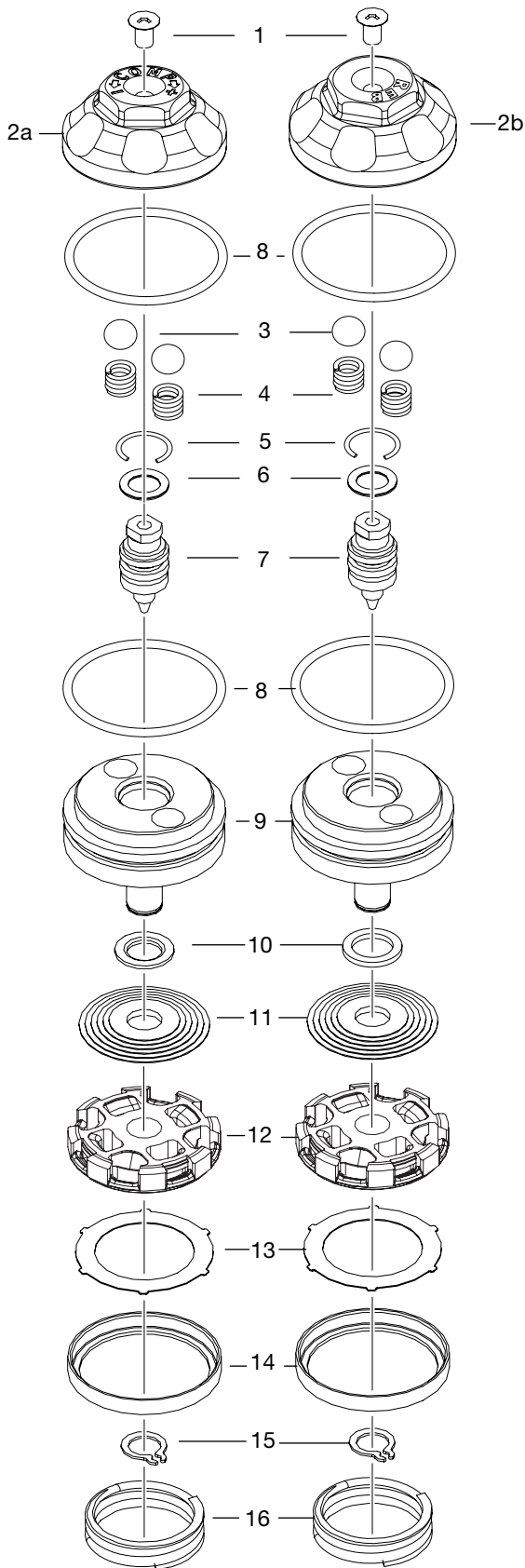
Pos	Part No	Pcs	Description	Notes
3-1	01046-52	6	Screw	
3-2	06277-02	1	Clamp ring	
3-3	05057-04	2	Circlip	
	00557-01	2	Circlip	
3-4	06276-01	1	Top eye	25 mm
	06276-02	1	Top eye	40 mm
	06276-03	1	Top eye	55 mm
	06276-04	1	Top eye	70 mm
	25032-01	1	Top eye	Optional
3-5	05536-05	1	Ball joint	
	00536-12	1	Ball joint	Optional
3-6	00382-07	1	Screw	
3-7	00438-33	1	O-ring	
3-8	06278-11	1	Cylinder head	
3-9	00382-17	4	Screw	Optional
3-10	25035-01	1	Bracket	Optional
3-11	25036-01	1	Adapter	Optional

Figure 4 - Reservoir Assy



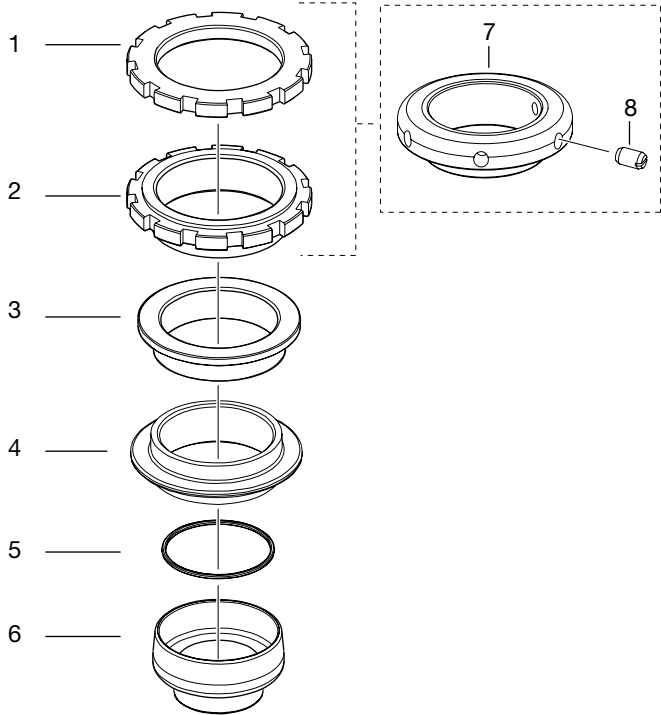
Pos	Part No	Pcs	Description	Notes
4-1	00338-24	1	O-ring	
4-2	00302-02	1	Reservoir, 44/90	
	00302-01	1	Reservoir, 44/110	
	00302-05	1	Reservoir, 44/120	
4-3	00196-01	1	Sticker "Warning"	
4-4	00191-10	1	Sticker "Öhlins TTX"	
4-5	00338-26	1	O-ring	
4-6	00340-01	1	Teflon band	
4-7	00305-01	1	Piston	
4-8	00161-83	1	Reservoir end	
4-8-1	00338-04	1	O-ring	
4-8-2	00561-03	1	End cap	
4-8-3	00604-01	1	Rubber valve	
4-8-4	00338-59	1	O-ring	
4-8-5	01050-01	1	Screw	
4-9	00329-01	1	Circlip	

Figure 5 - Compression/Rebound Valve



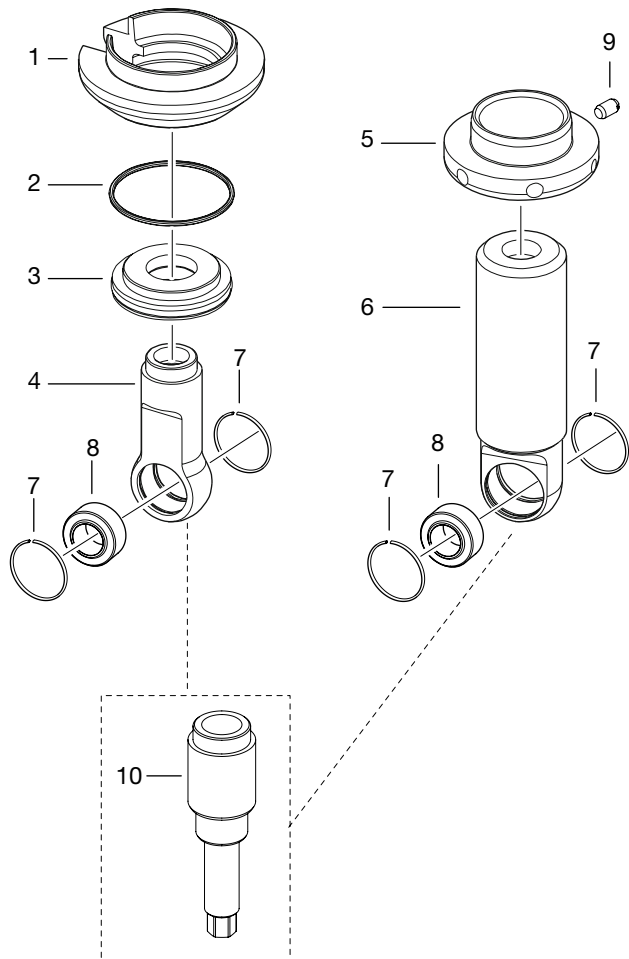
Pos	Part No.	Pcs	Description	Note
5-1	00828-01	2	Screw	
5-2a	21050-13	1	Knob adj. comp.	
5-2b	21050-14	1	Knob adj. reb.	
5-3	00884-07	4	Ball	
5-4	00833-01	4	Spring	
5-5	01473-06	2	Circlip	
5-6	00338-79	2	O-ring	
5-7	01242-12	2	Adjustment needle	Standard
	01242-06	-	Adjustment needle	Optional
5-8	00438-02	4	O-ring	
5-9	21043-02	2	End piece	
5-10	01449-02	2	Clamp washer	6/9/1.5 Standard
	01449-01	-	Clamp washer	6/8/1.5 Optional
	01449-03	-	Clamp washer	6/10/1.5 Optional
	01449-04	-	Clamp washer	6/7/1.5 Optional
	01449-05	-	Clamp washer	6/11/1.5 Optional
	06265-01	-	Clamp washer	6/8/2,5 Optional
	06265-02	-	Clamp washer	6/9/2,5 Optional
	06265-03	-	Clamp washer	6/10/2,5 Optional
	06265-05	-	Clamp washer	6/11/2,5 Optional
5-11	-	-	Shims	See spec.card
5-12	21044-15	2	Valve	Standard
	21044-20	-	Valve	Optional
	06267-02	-	Valve	Optional
5-13	21045-01	2	Check valve shim	Standard
	21045-02	-	Check valve shim	Optional
5-14	21047-01	2	Check valve housing	
5-15	05009-06	2	Circlip	
5-16	21046-15	2	Check valve spring	Standard
	21046-50	-	Check valve spring	Optional
	21046-30	-	Check valve spring	Optional

Figure 6 - Optional Parts - Spring Platforms



Pos	Part No.	Pcs	Description	Note
6-1	21033-01	1	Lock nut	
6-2	21034-01	1	Spring platform	2"
6-3	06775-01	1	Adjustment nut spacer	2.25"
6-4	05281-06	1	Spring support	2.25"
	05281-07	1	Spring support	2"
6-5	00338-64	1	O-ring	
6-6	06275-01	1	Spring platform	1.5"
6-7	06289-01	1	Spring platform	2"
	06289-02	1	Spring platform	2.25"
	06289-03	1	Spring platform	2,5"
6-8	05410-01	6	Stop screw	

Figure 7 - Optional Parts - Spring Retainers and End Eyes



Pos	Part No.	Pcs	Description	Note
7-1	05907-01	1	Spring retainer	2"
	05907-02	1	Spring retainer	2.25"
	05907-03	1	Spring retainer	2.5"
7-2	00338-84	1	O-ring	
7-3	05017-21	1	Stop washer	
7-4	06273-01	1	End eye	36 mm
	06273-02	1	End eye	56 mm
	06273-03	1	End eye	66 mm
	06273-04	1	End eye	76 mm
	06273-05	1	End eye	86 mm
	06273-20	1	End eye	46 mm
7-5	05441-21	1	Spring retainer	1.5"
7-6	06274-01	1	End eye	65 mm
	06274-02	1	End eye	80 mm
	06274-03	1	End eye	95 mm
7-7	05057-04	2	Circlip	
7-8	05536-05	1	Ball joint	
7-9	05410-01	1	Stop screw	
7-10		1	End piece	Optional

Your Öhlins retailer:



Öhlins Racing AB
Box 722
SE-194 27, Upplands Väsby
Sweden

Phone: +46 (0)8 590 025 00
Fax: +46 (0)8 590 025 80
www.ohlins.com



www.ohlins.com