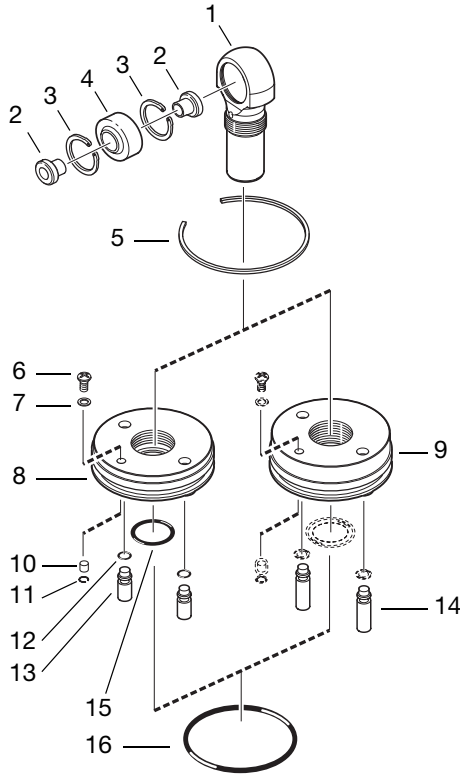




30 Spare Parts List

Top eye and reservoir



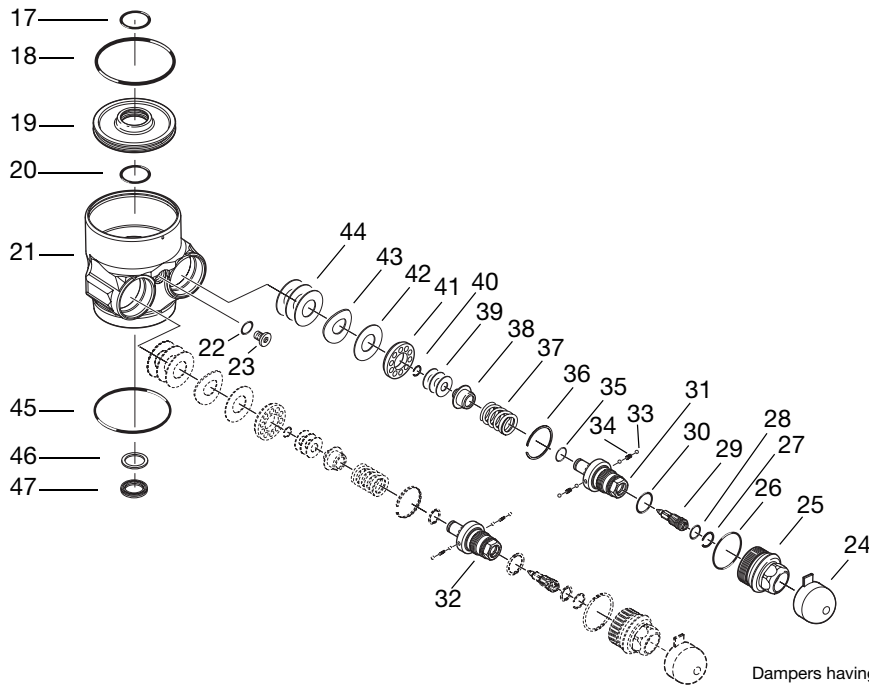
Dampers having 0 as the last digit of the article number, for example TTX NE020, have the following unique parts.

Pos.	Part No.	Pcs.	Description	Assembly Information	
1	06126-01	1	Top eye 53.3	Turn 90° from stop	
	06126-02	1	Top eye 58.3	Turn 90° from stop	
	06126-03	1	Top eye 70.3	Turn 90° from stop	
	06126-04	1	Top eye 82.3	Turn 90° from stop	
	06126-06	1	Top eye 112.3	Turn 90° from stop	
	06126-08	1	Top eye 142.3	Turn 90° from stop	
	2	06119-XX	2	Spacer	
	3	05057-04	2	Circlip	
4	05536-05	1	Spherical bearing	Loctite 603	
5	00329-11	1	Circlip		
6	01050-01	1	Screw	3 Nm (2 lbs.ft.)	
7	00586-02	1	Seal washer		
8	06121-01	1	Reservoir end cap		
9	06121-02	1	Reservoir end cap		
10	00604-01	1	Inflation membrane		
11	01152-05	1	Circlip		
12	00438-90	2	O-ring		
13	06105-01	2	Pressure indicator		
14	06105-02	2	Pressure indicator		
15	00438-91	1	O-ring		
16	00579-01	1	O-ring		

Pos.	Part No.	Pcs.	Description
1	06106-02	1	Top eye 58.3*****
	06106-04	1	Top eye 82.3*****
2	05425-XX	2	Spacer
	05518-XX	2	Spacer
3	05057-02	2	Circlip
4	05536-01	1	Spherical bearing
8	06104-01	1	Reservoir end cap*****

***** in the end of a description indicates that the part not will be available in the future.

Cylinder head and Valve



Dampers having 0 as the last digit of the article number, for example TTX NE020, have the following unique parts.

Pos.	Part No.	Pcs.	Description	Assembly Information
17	00438-91	1	O-ring	
18	00579-01	1	O-ring	
19	06102-01	1	Separating piston	
20	00438-91	1	O-ring	
21	06120-01	1	Cylinder head	
22	00438-33	1	O-ring	
23	00382-07	1	Screw	
24	05925-01	2	Rubber cap	
25	05942-01	2	End piece	12 Nm (8 lbs.ft.)
26	00338-27	2	O-ring	
27	01473-01	2	Circlip	
28	00577-01	2	O-ring	
29	05954-03	2	Bleed valve internal hex	
	05954-02°	2	Bleed valve screw driver slot*****	
30	00338-69	2	O-ring	
31	05953-01	1	Needle housing (silver)	
32	05953-02	1	Needle housing (gold)	
33	00884-02	8	Ball	
34	05945-02	4	Spring	
35	00438-52	2	O-ring	
36	00575-13	2	Circlip	
37	04107-01	-	Spring c=10 N/mm, t= 1.70 mm	
	04107-02	-	Spring c=20 N/mm, t= 1.80 mm	
	04107-04	2	Spring c=40 N/mm, t= 2.20 mm	
	04107-08	-	Spring c=80 N/mm, t= 2.75 mm	
38	04103-06	2	Poppet valve (for Ø12 seat)	
	04103-07	-	Poppet valve (for Ø10 seat)	
39	01410-12	-	Shim t=0.10 mm (for Ø10 seat)	
	01415-12	-	Shim t=0.15 mm (for Ø10 seat)	
	01420-12	-	Shim t=0.20 mm (for Ø10 seat)	
	01425-12	-	Shim t=0.25 mm (for Ø10 seat)	
	01410-14	-	Shim t=0.10 mm (for Ø12 seat)	
	01415-14	6	Shim t=0.15 mm (for Ø12 seat)	
	01420-14	-	Shim t=0.20 mm (for Ø12 seat)	
	01425-14	-	Shim t=0.25 mm (for Ø12 seat)	
	01430-14	-	Shim t=0.30 mm (for Ø12 seat)	
40	01499-04	1	Circlip	
41	04104-01	-	Valve seat Ø10	18 Nm (12 lbs.ft.)
	04104-02	2	Valve seat Ø12	18 Nm (12 lbs.ft.)
42	00530-23	2	Shim	
43	04105-01	2	Wave washer	See Revalving for direction
44	00530-23	6	Shim	
45	00438-17	1	O-ring	
46	01032-05	1	Back-up ring	
47	01027-05	1	X-ring	

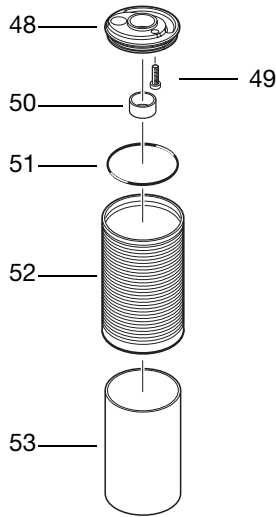
Pos.	Part No.	Pcs.	Description
21	06100-01	1	Cylinder head*****
34	05945-01	4	Spring
37	04102-31 ³	-	Spring c=10 N/mm, t=1.80 mm*****
	04102-32 ³	-	Spring c=20 N/mm, t=2.10 mm*****
	04102-34	2	Spring c=40 N/mm, t=2.40 mm*****
	04102-38 ³	-	Spring c=80 N/mm, t=2.80 mm*****
38	04103-04	2	Poppet valve (for Ø12 seat)*****
	04103-05	-	Poppet valve (for Ø10 seat)*****

***** in the end of a description indicates that the part not will be available in the future.

° 05954-02 (screwdriver groove) will be replaced by 05954-03 (3 mm Allen key).

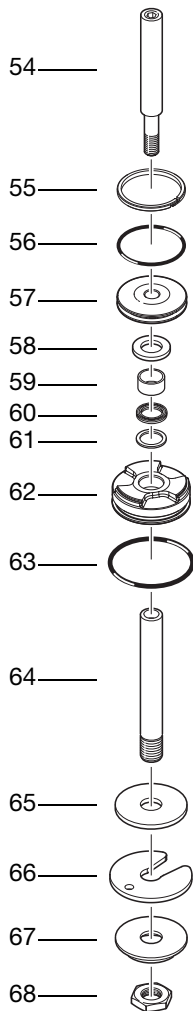
³ These parts have not have been included in the damper part number TTX NE ... but they where sold during the same period.

Separating plate and tubes



Pos.	Part No.	Pcs.	Description	Assembly Information
48	06101-01	1	Separating plate	
49	01046-43	1	Screw	Loctite 222, 3 Nm (2 lbs.ft.)
50	00110-05	1	Bushing	
51	00438-18	1	O-ring	
52	06109-01	1	Outer tube 76.7 mm	Loctite 243, 90 Nm (66 lbs.ft.)
	06109-02	1	Outer tube 84.7 mm	Loctite 243, 90 Nm (66 lbs.ft.)
	06109-03	1	Outer tube 96.7 mm	Loctite 243, 90 Nm (66 lbs.ft.)
	06109-04	1	Outer tube 108.7 mm	Loctite 243, 90 Nm (66 lbs.ft.)
	06109-06	1	Outer tube 136.7 mm	Loctite 243, 90 Nm (66 lbs.ft.)
	06109-08	1	Outer tube 168.7 mm	
53	06110-01	1	Inner tube 60.2 mm	
	06110-02	1	Inner tube 68.2 mm	
	06110-03	1	Inner tube 80.2 mm	
	06110-04	1	Inner tube 92.2 mm	
	06110-05	1	Inner tube 122.2 mm	
	06110-06	1	Inner tube 152.2 mm	

Piston rod assembly

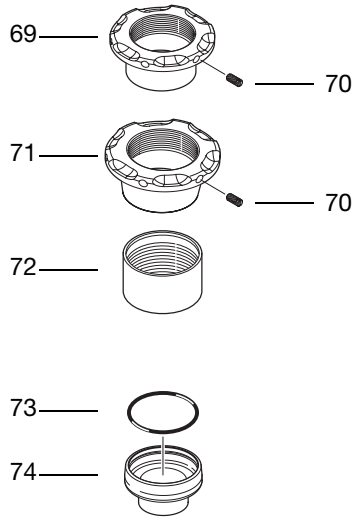


Pos.	Part No.	Pcs.	Description	Assembly Information
54	06112-01	1	Piston rod, internal 12/89.8	Loctite 243 22 Nm (16 lbs.ft.)
	06112-02	1	Piston rod, internal 12/97.8	Loctite 243 22 Nm (16 lbs.ft.)
	06112-03	1	Piston rod, internal 12/109.8	Loctite 243 22 Nm (16 lbs.ft.)
	06112-04	1	Piston rod, internal 12/121.8	Loctite 243 22 Nm (16 lbs.ft.)
	06112-06	1	Piston rod, internal 12/151.8	Loctite 243 22 Nm (16 lbs.ft.)
	06112-08	1	Piston shaft, internal 89.8 mm	Loctite 243 22 Nm (16 lbs.ft.)
55	06118-01	1	Piston seal	
56	00438-24	1	O-ring	
57	06113-01	1	Piston	
58	06132-01	-	Spacer 1 mm	
	06132-02	-	Spacer 2 mm	
	06132-05	-	Spacer 5 mm	
	06132-10	-	Spacer 10 mm	
59	00110-05	1	Bushing	
60	01027-05	1	X-ring	
61	01032-05	1	Back-up ring	
62	06114-01	1	Cylinder cap	30 Nm (22 lbs.ft.)
63	00338-02	1	O-ring	
64	06127-01	1	Piston shaft, external 80.4 mm	
	06127-02	1	Piston shaft, external 88.4 mm	
	06127-03	1	Piston shaft, external 100.4 mm	
	06127-12 ¹	1	Piston shaft, external 103.4 mm	
	06127-04	1	Piston shaft, external 112.4 mm	
	06127-14 ²	1	Piston shaft, external 133.4 mm	
	06127-06	1	Piston shaft, external 142.4 mm	
	06127-08	1	Piston shaft, external 172.4 mm	
65	06130-01	-	Spacer 1 mm	
	06130-02	-	Spacer 2 mm	
	06130-05	-	Spacer 5 mm	
	06130-10	-	Spacer 10 mm	
66	06131-02	-	Packer 2 mm	
	06131-03	-	Packer 3 mm	
67	05449-03	-	Support washer	
68	06117-01	1	Lock nut	25 Nm (18 lbs.ft.)

¹ 06127-12 was earlier named 06111-03.

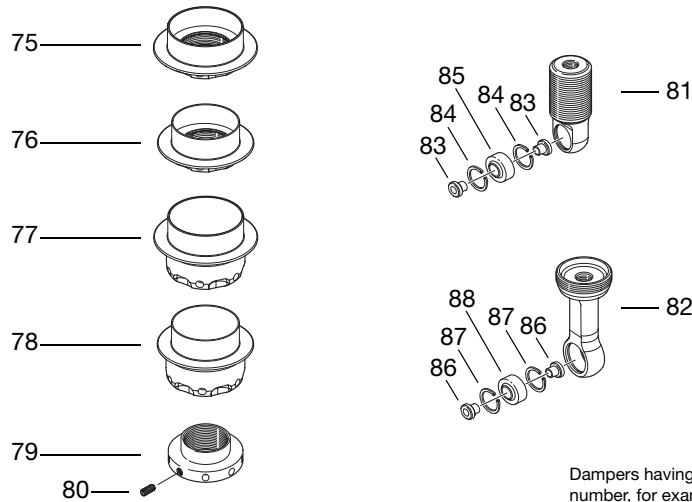
² 06127-14 was earlier named 06111-05.

Spring platforms



Pos.	Part No.	Pcs.	Description	Assembly Information
69	05964-01	1	Spring platform Ø50.8 mm (2")	
70	05410-01	1	Set screw	
71	05964-02	1	Spring platform Ø57 mm (2.25")	
72	06140-01	1	Sleeve	30 Nm (22 lbs.ft.)
73	00438-60	1	O-ring	
74	05972-01	1	Spring platform Ø35.2 mm (1.5")	

End eyes and spring retainers



Pos.	Part No.	Pcs.	Description	Assembly Information
75	05411-01	1	Spring retainer Ø57 mm (2.25")	
76	05411-02	1	Spring retainer Ø50.8 mm (2")	
77	05412-01	1	Spring retainer Ø57 mm (2.25")	
78	05965-01	1	Spring retainer Ø50.8 mm (2")	
79	05441-01	1	Spring retainer Ø35.2 mm (1.5")	
80	05410-01	1	Set screw	
81	06133-01	1	End eye 62.4 mm	
82	06136-01	1	End eye 31.4 mm	
	06136-02	1	End eye 40.4 mm	
	06136-03	1	End eye 49.4 mm	
	06136-04	1	End eye 58.4 mm	
	06136-05	1	End eye 67.4 mm	
	06136-06	1	End eye 76.4 mm	
	06136-07	1	End eye 85.4 mm	
83	05425-XX	2	Spacer	
	05518-XX	2	Spacer	
84	05057-02	2	Circlip	
85	05536-01	1	Spherical bearing	Loctite 603
86	06119-XX	2	Spacer	
87	05057-04	2	Circlip	
88	05536-05	1	Spherical bearing	Loctite 603

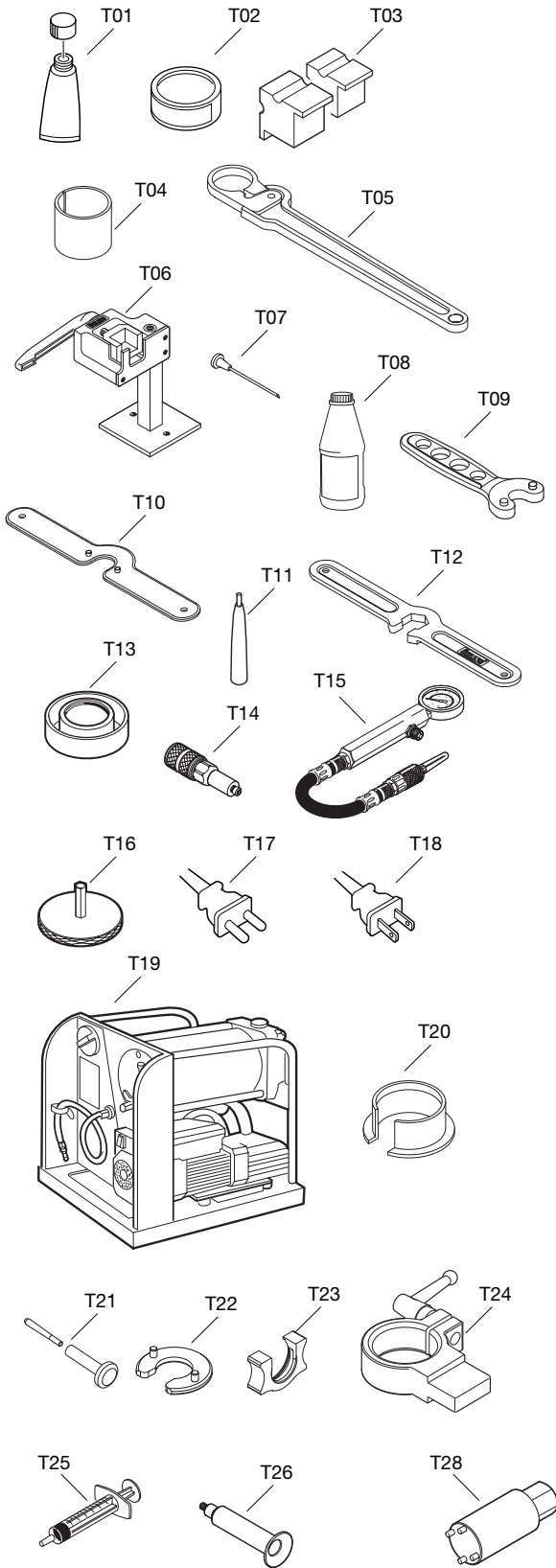
Dampers having 0 as the last digit of the article number, for example TTX NE020, have the following unique parts:

Pos.	Part No.	Pcs.	Description
82	06116-01 ³	1	End eye 31.4 mm*****
	06116-02 ³	1	End eye 40.4 mm*****
	06116-03 ³	1	End eye 49.4 mm*****
	06116-04 ³	1	End eye 58.4 mm*****
86	05425-XX ³	2	
	05518-XX ³	2	
87	05057-02 ³	2	
88	05536-01 ³	1	Loctite 603

***** in the end of a description indicates that the part not will be available in the future.

³ These parts have not have been included in the damper part number TTX NE ... but they where sold during the same period.

Tools



Pos.	Part No.	Pcs.	Description
T01	00146-01		Red grease 100 g
T02	00147-01		White grease 100 g
T03	00727-02		Jaws for piston shaft
T04	00737-04		Sleeve for 06140-01
	00737-05		Sleeve for outer tube
T05	00738-01		Spanner for cylinder tube
T06	00773-01		Vise
T07	00778-01		Gas needle
T08	01306-01		Shock absorber fluid 309 1 litre
T09	01761-01		Peg spanner for cylinder end cap
T10	01761-03		Peg spanner dia. 41
T11	01762-01		Spring preloader
T12	01772-03		Wrench for end eye lock nut
T13	01776-03		Oil retaining cup
T14	01779-02		Gas needle housing
T15	01781-01		Gas filling device
T16	01822-02		Adjustment tool, hex 3 mm
T17	01825-01		Cord for 230 V European standard
T18	01825-02		Cord for 115 V US standard
T19	01840-01		Vacuum filling machine
T20	01861-01		Mounting sleeve for main piston
T21	01875-02		Circlip installation tool:
	01871-01		Sleeve + 01872-02 Cone pin
T22	01876-01		Separating piston pos. tool for 6121-01
	01876-02		Separating piston pos. tool for 6121-02
T23	01877-01		Spacer sep. piston pos. tool 5.4 mm
	01877-02		Spacer sep. piston pos. tool 10.4 mm
	01877-03		Spacer sep. piston pos. tool 22.4 mm
	01877-04		Spacer sep. piston pos. tool 25.4 mm
	01877-06		Spacer sep. piston pos. tool 55.4 mm
	01877-08		Spacer sep. piston pos. tool 85.4 mm
T24	01878-01		Damper holder
T25	01879-01		Syringe piston
T26	01880-01		Syringe casing
T27	01881-01		Syringe kit:
	01879-01		Syringe piston x 5 + 01880-01 Syringe casing
T28	04106-03		Peg spanner for valve seat
	07430-01		Technical manual TTX40
	07431-01		CD TTX40
	07432-01		CD TTX40 10 pcs

NOTE:

The scale of the tools varies.

31 Technical Data

The data only refers to the standard damper units.

Stroke [mm] / Length* [mm] / Weight [g]:

TTX NE01	48 / 207.6 / 810
TTX NE02	56 / 243.6 / 880
TTX NE03	68 / 264.6 / 910
TTX NE04	80 / 321.6 / 1025
TTX NE06	110 / 390.6 / 1145
TTX NE08	140 / 480.6 / 1345

External adjusters 4

Number of click positions:

Low Speed Compression	40
High Speed Compression	50
Low Speed Rebound	40
High Speed Rebound	50

Max recommended velocity	1.5 m/s (60 inch/sec.)
Max damping peak force	8000 N (1800 lbs.)
Max bump rubber force	8000 N (1800 lbs.)
Max operating temperature	120°C (approx. 250°F)
Oil	Öhlins damper fluid 309
Spherical bearing hole diameter**	12.7 mm (0.5 inch)
Spherical bearing ball width**	11.1 mm (0.437 inch)
Recommended gas pressure	5 bar (75 psi)

* The length is measured from the spherical bearing centre of the top eye to where the lock nut on the piston rod sits against the end eye. By adding the given length of the end eye in chapter Spare parts you get the total length centre to centre of the bearings.

** End eyes for 36 mm (1.5") springs uses a bearing with hole diameter 9.5 mm (0.375 inch) and the ball width is 12.7 mm (0.5 inch).

Öhlins knows that it takes more than just a unique product to fill the customer's expectations. One of them is a complete manual. This manual will follow the Öhlins tradition to set the state of art for damper manuals, just as the TTX damper does when it comes to dampers.



Öhlins Racing AB, Box 722, S-194 27 Upplands Väsby, Sweden
Phone +46 8 590 025 00, Fax +46 8 590 025 80

Part no. 07430-01