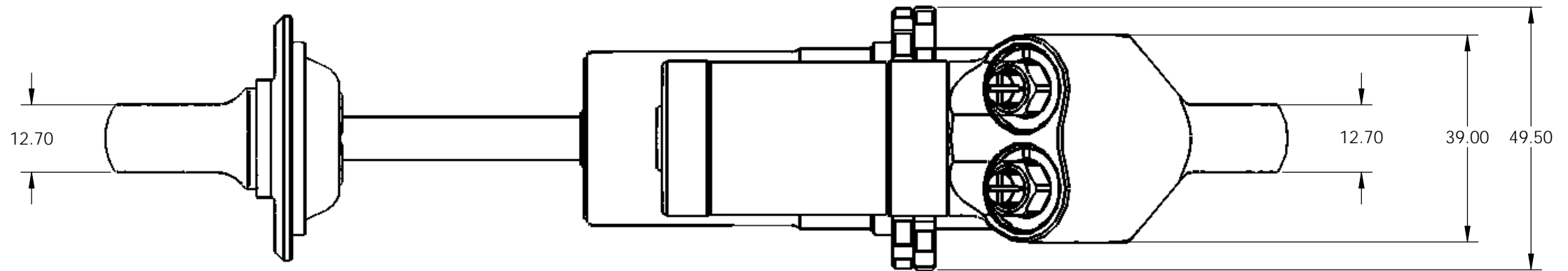
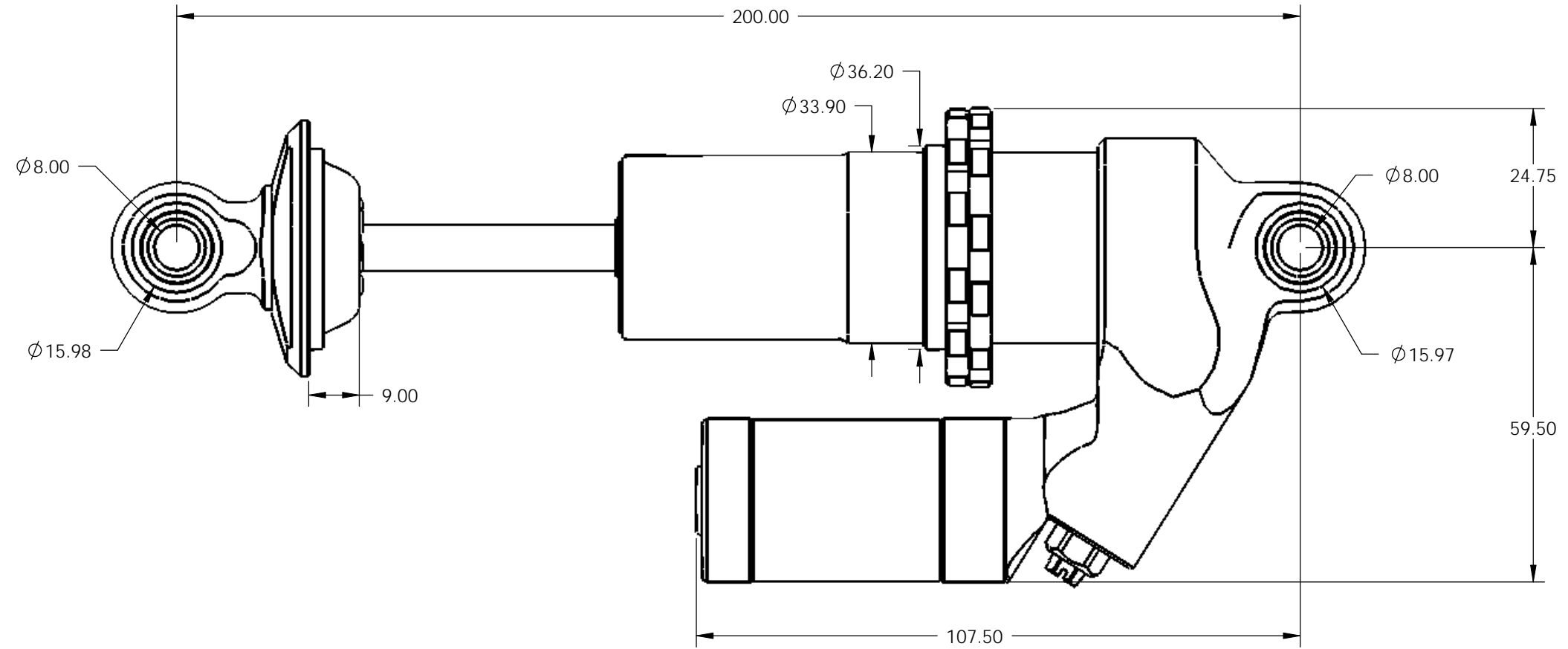
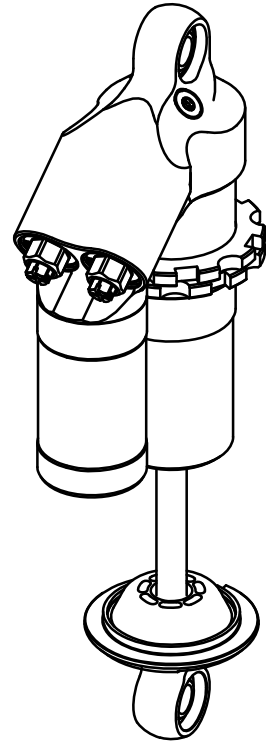


| REV. | DESCRIPTION | ENGR | DATE |
|------|-------------|------|------------|
| A | Release | JPC | 10/30/2009 |



mm Dimensions
Tolerances:
.X ± 0.3
.XX ± 0.10
.XXX ± 0.050
Angular: ± 0.5
Concentricity:
N/A
Third Angle Projection

This drawing and all information therein is the property of Cane Creek Cycling Components and is confidential and must not be made public or copied. It is loaned subject to return upon demand and is not to be used in any way that is detrimental to our interests.

CANE CREEK CYCLING COMPONENTS, INC.
355 Cane Creek Road, Fletcher, NC 28732

TITLE:
DB FSAE Shock
2009/2010 - 200/57

| | | | | | |
|---------------|----------------|-------------|--------|------------|--------------|
| Material: n/a | Weight: varies | Finish: n/a | Color: | SCALE: 1:1 | SHEET 1 OF 1 |
|---------------|----------------|-------------|--------|------------|--------------|

| | | |
|------------------|--------------------------------------|------------------|
| SIZE B | Part No. DB-FSAE 2009/2010 | REV. A |
|------------------|--------------------------------------|------------------|