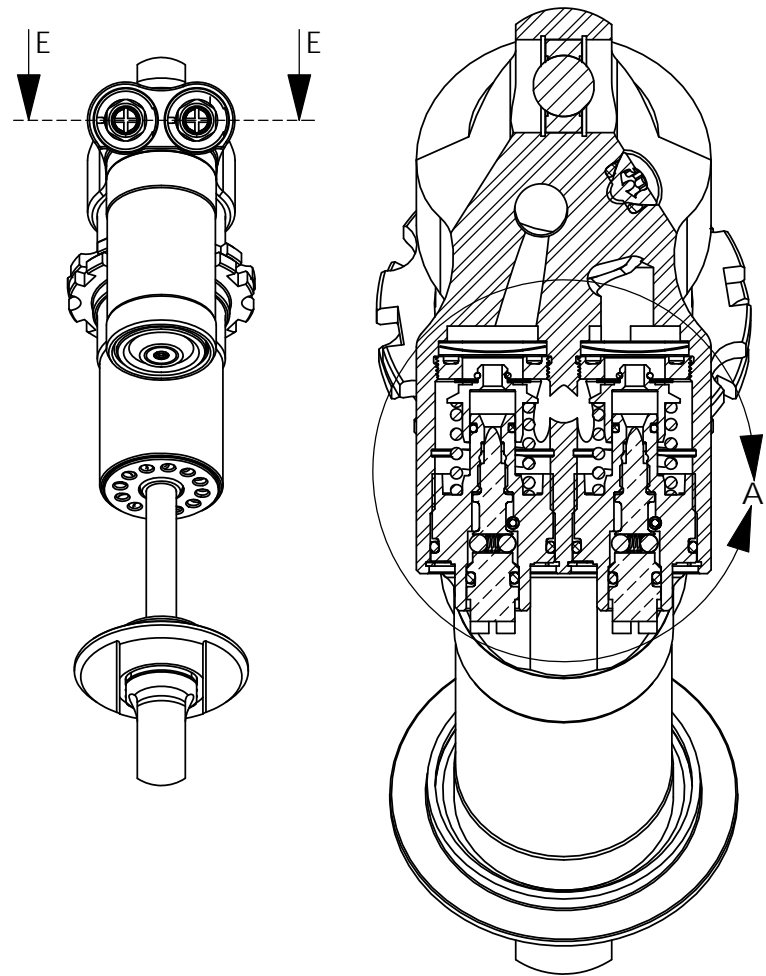
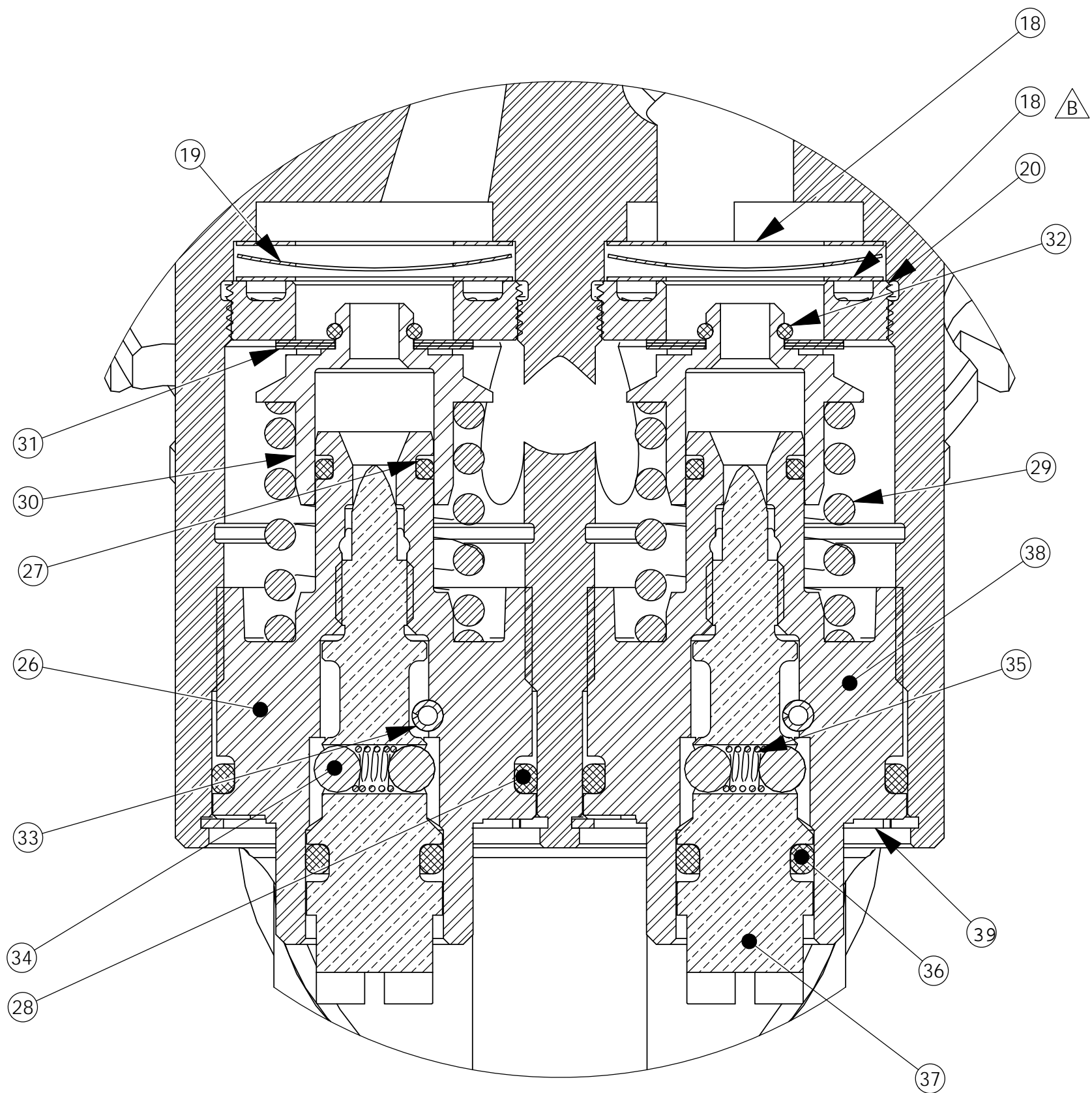


SECTION A-A  
SCALE 1.5 : 1



SECTION E-E  
SCALE 1 : 1



DETAIL A  
SCALE 4 : 1

Item No.	Description	Qty.
1	Seal Head	2
2	O-ring 26.7x1.78-a	2
3	Back Up Ring	2
4	Quad Ring	2
5	Bearing - Shaft	2
6	Rod Wiper	2
7	Shaft 115.8mm	1
8	CirClip 8x0.8-a	1
9	Lock Nut - M8	1
10	End Eye	1
11	O-ring 20.0x1.00-a	1
12	Piston Ring	1
13	Top Out Bumper	1
14	Piston	1
15	Bump Rubber	1
16	Spring Clip version 2.0	1
17	Cylinder Head	1
18	Shim - 00186-14	4
19	Wave Washer	2
20	Valve Seat	2
21	O-ring 4.5x1.50-b	2
22	Screw - flat head torx	2
23	O-ring 32.5x1.50-a	1
24	O-ring 28.0x1.50-a	1
25	O-ring 23.52x1.78-a	1
26	End Piece	1
27	O-ring 4.0x1.00-a	2
28	O-ring 13.5x1.50-a	2
29	Spring - valve 10N/mm	2
30	Poppet Valve	2
31	Shim - 4mm ID, T.15-10	6
32	O-ring 3.18x0.79-a	2
33	Spring Pin	2
34	Ball - Detent	4
35	Spring - Detent	2
36	O-ring 4.5x1.50-a	2
37	Adjustment Needle 2.2mm	2
38	End Piece	1
39	CirClip flat	2
40	Cylinder Tube - Inner	1
41	Cylinder Tube - Outer	1
42	Reservoir Tube	1
43	CirClip 25x1.60	1
44	Dividing Piston	1
45	CirClip 4.0x1.00	2
46	Piston Ring	1
47	Reservoir End	1
48	Seal - gas fill	1
49	Adjustment Nut - spring preload	1
50	Bearing - Spherical	2
51	Lock Nut - spring preload	1